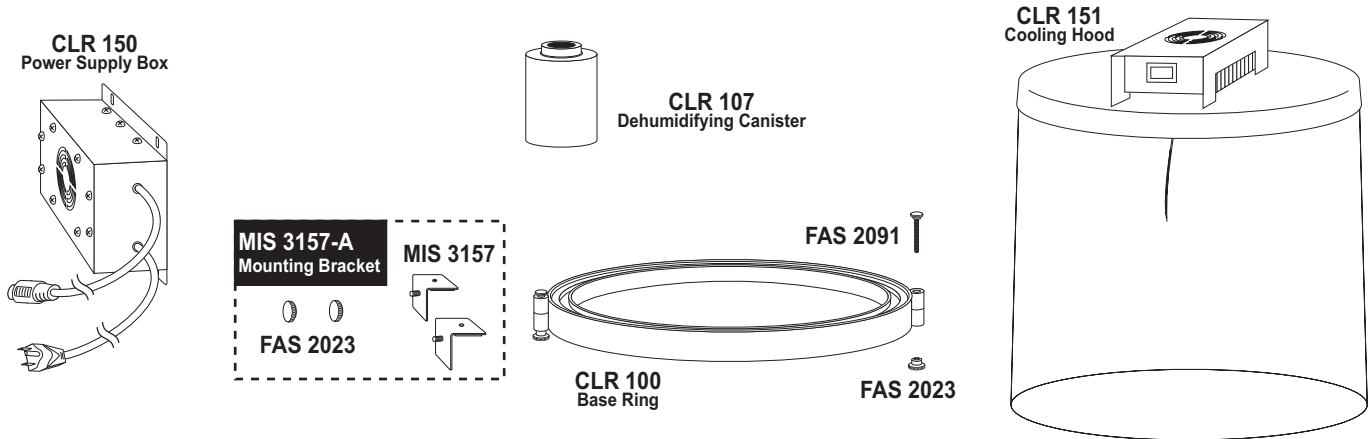


Flavor Burst™

CLR 2000 CC8 Cooling Hood Assembly

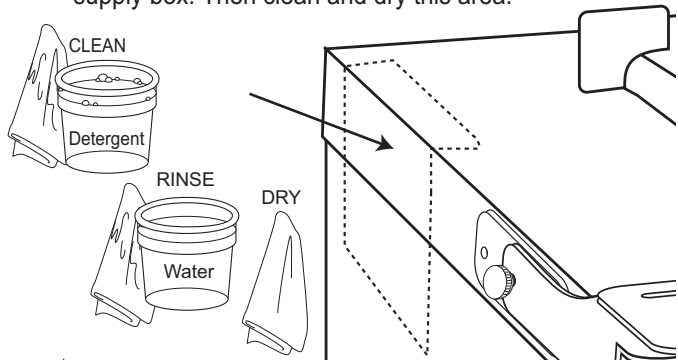
Installation, Operation Tips, Maintenance

The Cooling Hood Assembly keeps the CC8 product ingredients at a manageable temperature when external temperatures may otherwise cause the ingredients to melt and clog the system. Use the following instructions to install and maintain the Cooling Hood Assembly and follow the operation tips to maximize the effectiveness of the CC8 system. For further information, contact your local distributor.



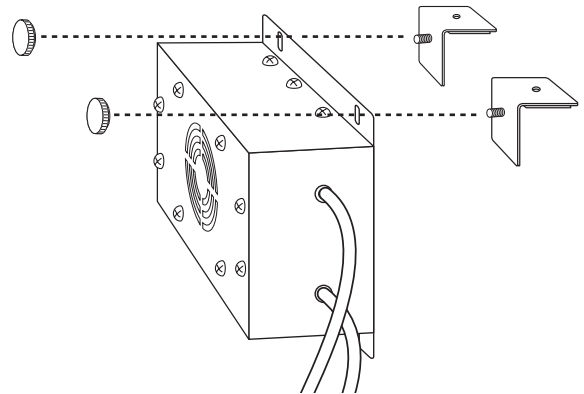
INSTALLATION OF THE COOLING HOOD ASSEMBLY

- 1 Determine the approximate area to mount the power supply box. Then clean and dry this area.

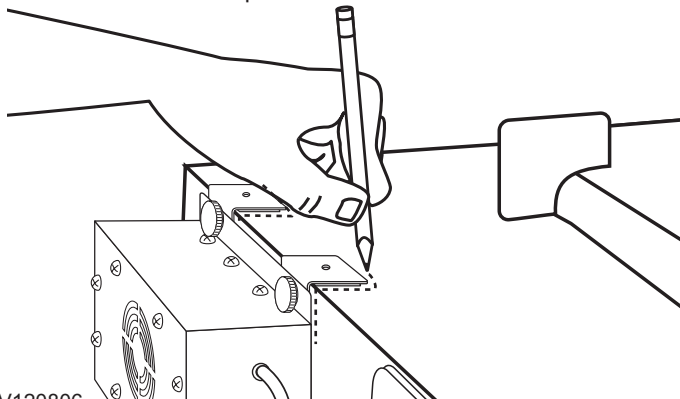


NOTE: ENSURE THE BOX IS MOUNTED IN AN AREA WHERE SPILLAGE WILL NOT OCCUR. ENSURE THE BOX DOES NOT COVER ANY AIR VENTS THAT ARE CRITICAL TO VENTING THE FREEZER

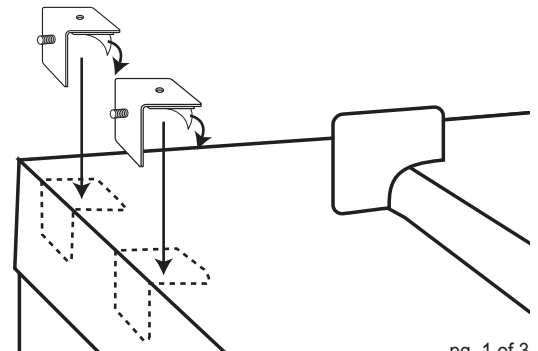
- 2 Install the two mounting bracket plates to the power supply box as shown and tighten each thumb screw to secure.



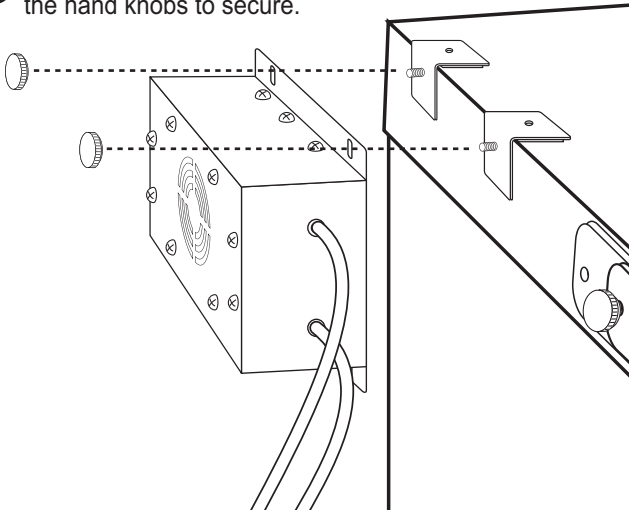
- 3 Position the box assembly in the desired mounting position on the freezer and mark around the brackets with a soft lead pencil.



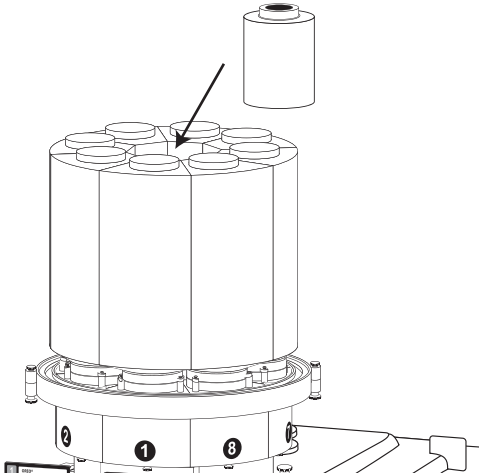
- 4 Remove the brackets from the box. Remove the protective tape from the adhesive strips and press each bracket into place within the markings on the freezer. Allow the bracket adhesive to cure for at least 24 hours.



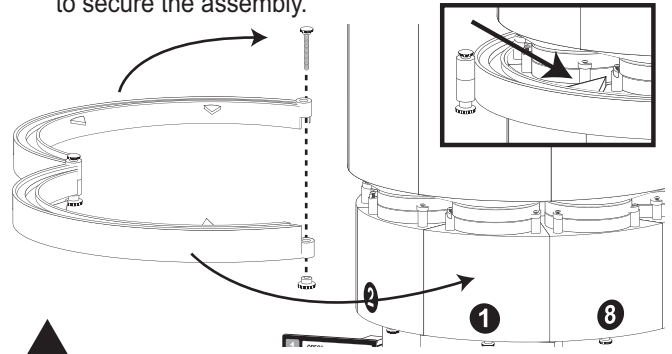
- 5** Install the power box onto the bracket posts and tighten the hand knobs to secure.



- 7** Place the dehumidifying canister in the center of the CC8 containers. Ensure that the canister is at room temperature or cooler and that the indicator cap shows blue. Recharge the canister if the indicator is pink. Keep the canister box for recharging the canister.

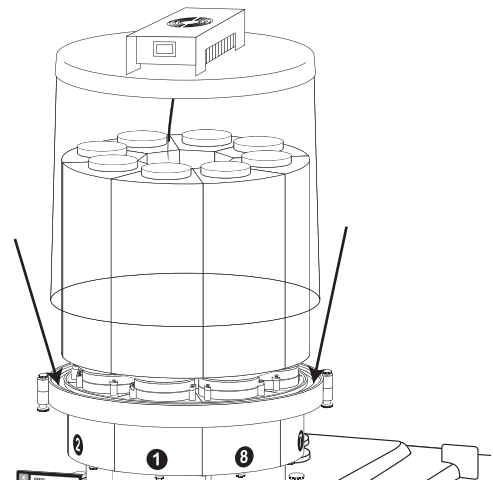


- 6** Open the base ring by removing one thumb screw and thumb nut. Place the ring around the Mounting Base modules so that the triangular notches rest between the containers. Install the thumbscrew and nut, then tighten to secure the assembly.

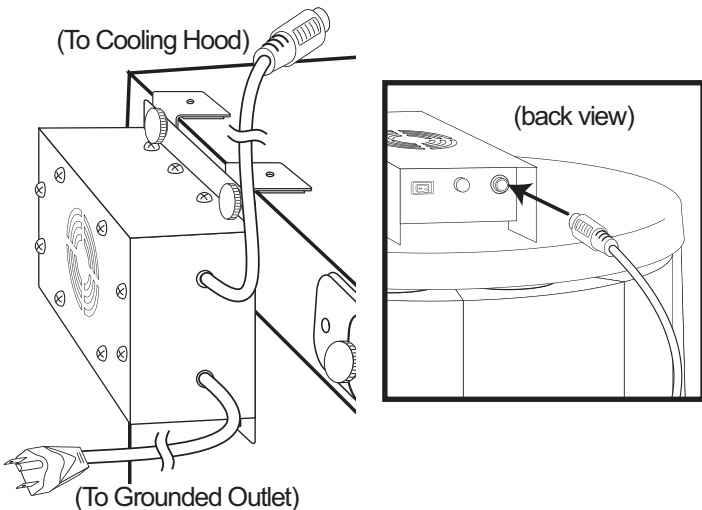


! **NOTE:** ENSURE THE WEATHER STRIPS WITHIN THE BASE RING ARE FACING UPWARD.

- 8** Place the cooling hood over the containers so that the base of the hood sits flat upon the weather stripping in the base ring. The temperature display should face directly in front and the thermometer lead should hang down within the center of the containers.



- 9** Connect the power cable to the back of the cooling hood and connect the power supply to a grounded outlet.

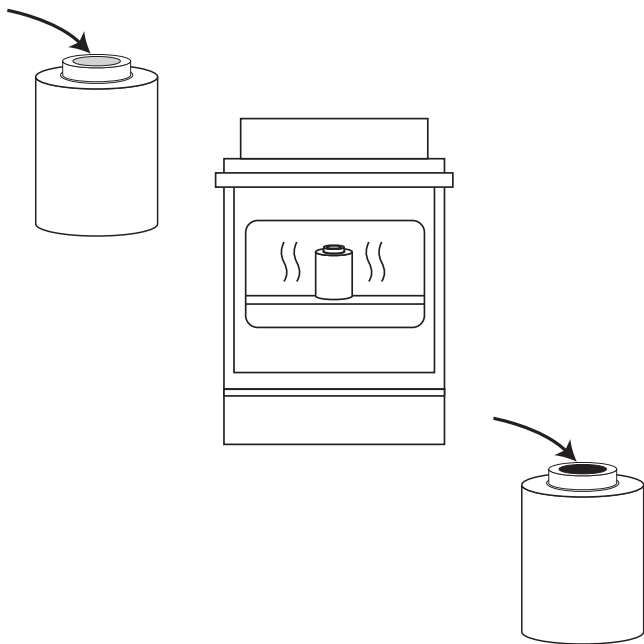


OPERATION TIPS

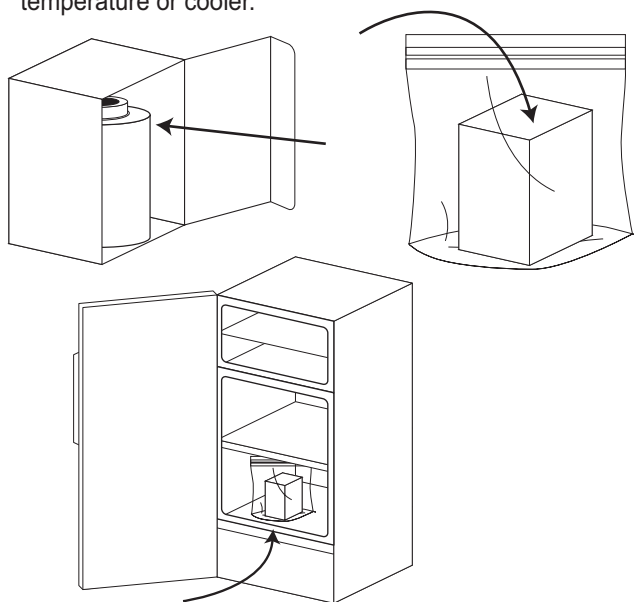
- Allow the cooling hood to operate overnight to cool product ingredients before external temperatures rise.
- When replacing ingredients during warmer temperatures, ensure the cooling hood is removed from the CC8 machine for as short of a period as possible.
- Keep chilled ingredients on hand for refilling empty containers during the day.
- Fill containers #3 and #7 with ingredients that require the most cooling. The airflow pattern of the cooling hood cools these containers more than the others.
- Turn off the cooling hood when external temperatures fall below 67 degrees Fahrenheit to avoid the coolsink from freezing up over time and stopping the internal fan. If this occurs, see Step #3 under MAINTENANCE OF THE COOLING HOOD ASSEMBLY.

MAINTENANCE OF THE COOLING HOOD ASSEMBLY

1A When the indicator on the dehumidifying canister turns pink, recharge the canister by placing it in an oven for 3 hours at 350 degrees Fahrenheit. The indicator will turn a dark blue color when it is charged.

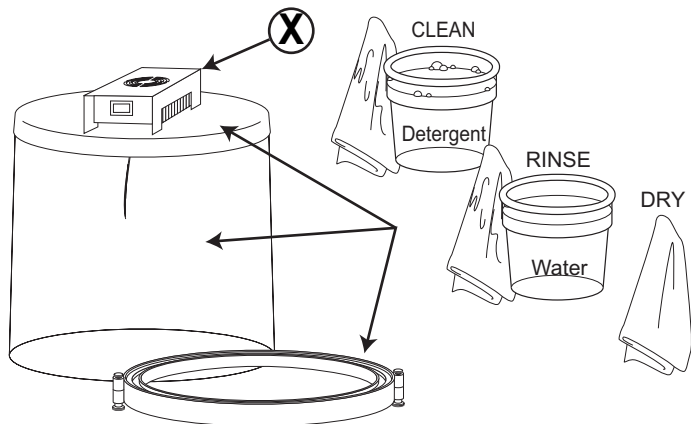


1B Carefully remove the canister from the oven and place it in the canister box or a similar cardboard box. Place the box within a plastic air-tight bag and place it in a refrigerator or freezer until the canister cools to room temperature or cooler.



NOTE: NEVER PLACE A WARM CANISTER IN THE CC8 SYSTEM. IT IS RECOMMENDED AN EXTRA CHARGED AND COOLED CANISTER BE KEPT ON HAND FOR EASY AND QUICK REPLACEMENT.

2 On occasion the cooling hood will need to be washed. Unplug the hood from the power box. Use a single service towel dampened with warm detergent water to clean the cooling hood parts, taking care not to get moisture near the electrical parts or fans. Rinse using a dampened towel and dry thoroughly.



ELECTRICAL HAZARD: DO NOT RINSE OR USE AN EXCESSIVE AMOUNT OF WATER OR DETERGENT IN CLEANING THE HOOD. FAILURE TO COMPLY MAY RESULT IN SERIOUS ELECTRICAL SHOCK OR ELECTROCUTION.

3 Turn off the cooling hood when external temperatures fall below 67 degrees Fahrenheit to avoid the coolsink from freezing up over time and stopping the internal fan. If the coolsink does freeze up, turn off the cooling hood, remove it from the machine and allow the ice build-up to melt upside down. Remove the water from the hood and dry thoroughly before installing it again.

