

# Flavor Burst®

## CG 200 CC8 Candy Chopper Kit

### Operations

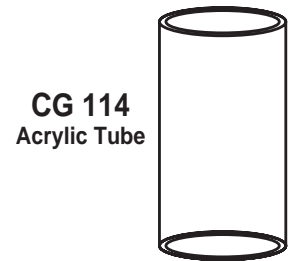
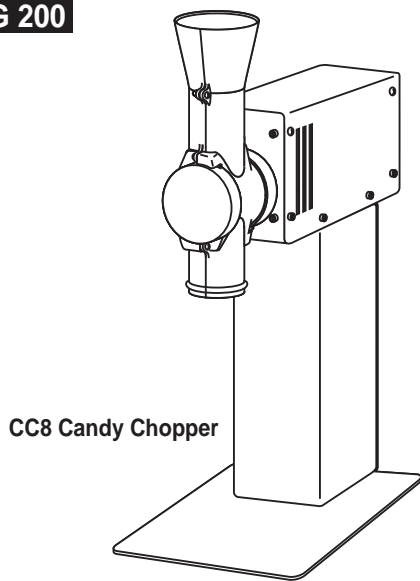
The CG 200 Candy Chopper chops larger candy, nut, and cookie pieces into particles small enough to be used with the Flavor Burst® CC8 systems. Follow the instructions to operate the Chopper. Contact your local Flavor Burst® distributor for more information.

**⚠ NOTE:** DO NOT USE SOFT PRODUCT IN CHOPPER OR CC8 SYSTEM. INGREDIENTS THAT ARE SOFT OR STICKY AT ROOM TEMPERATURE WILL CLOG THE CHOPPER AND CC8 SYSTEM.

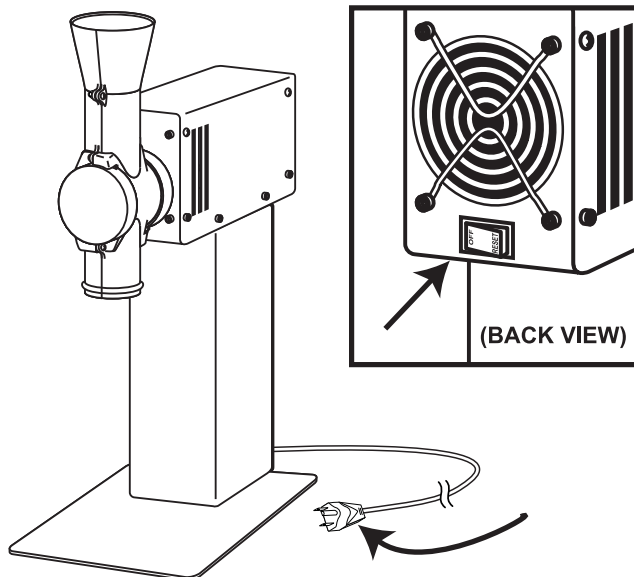
**⚠ NOTE:** COOL OR FREEZE INGREDIENTS TO AID IN CHOPPING EFFECTIVENESS.

**⚠ NOTE:** NEVER INSERT NON-FOOD PRODUCT, UNAPPROVED CC8 FOOD PRODUCT OR BODY PARTS INTO THE CHOPPER OPENINGS.

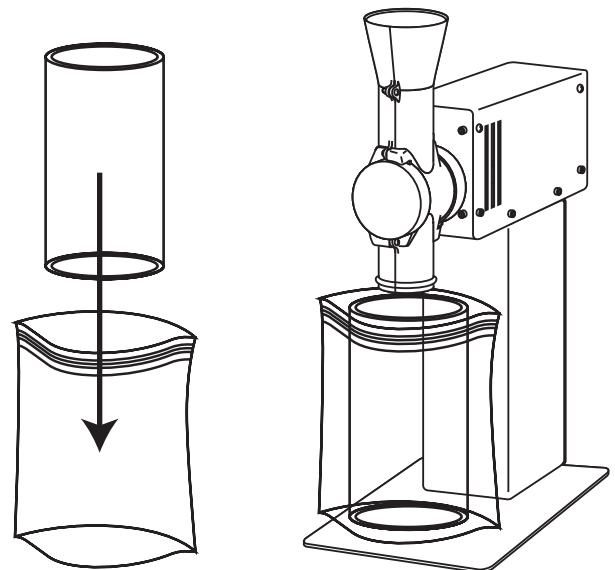
**CG 200**



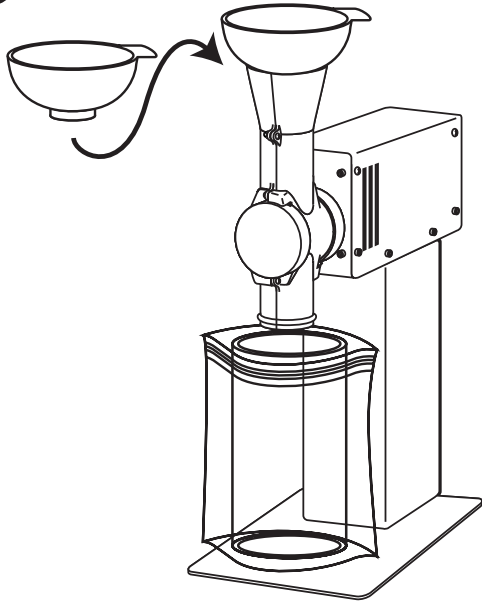
**1** Ensure the Candy Chopper switch is in the off position and then plug the Candy Chopper into a power source.



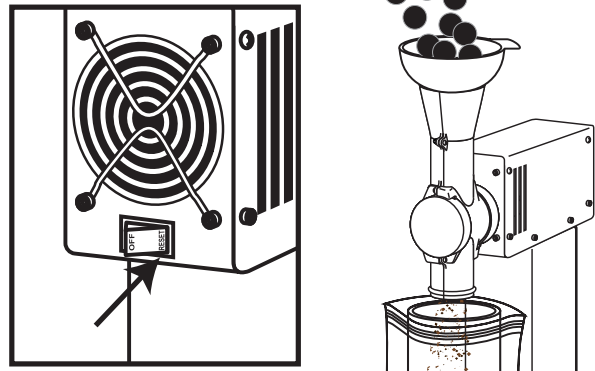
**2** Place the acrylic tube inside one of the plastic bags and place them directly under the Candy Chopper spout.



**3** Place a funnel on top of the Chopper.



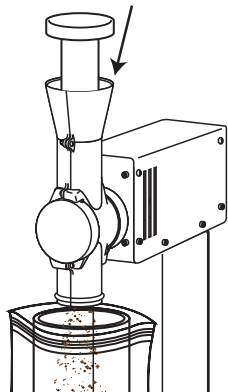
**4** Turn the switch to the ON position and slowly place **approved** candies, nuts or other ingredients in the funnel.



**!** **NOTE:** DO NOT USE SOFT PRODUCT IN CHOPPER OR CC8 SYSTEM. INGREDIENTS THAT ARE SOFT OR STICKY AT ROOM TEMPERATURE WILL CLOG THE CHOPPER AND CC8 SYSTEM.

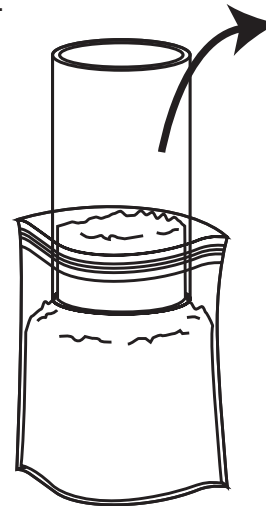
**!** **NOTE:** COOL OR FREEZE INGREDIENTS TO AID IN CHOPPING EFFECTIVENESS.

**5** If the product gets clogged above the Chopper blades, remove the funnel and use the stomper to push the product down until it's chopped. If the Chopper remained clogged, unplug it and clean it according to cleaning instructions.

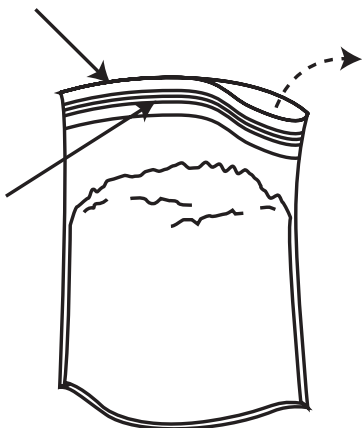


**!** **NOTE:** NEVER INSERT NON-FOOD PRODUCT, UNAPPROVED CC8 FOOD PRODUCT OR BODY PARTS INTO THE CHOPPER OPENINGS.

**6** When the bag is full or there is no more product to chop, turn the Chopper off and remove the acrylic tube from the bag.



**7** Seal the bag while pressing the air out to keep the product fresh. Store the bag in a cool place until use.



**8** Clean the Chopper, tube, funnel(s) and stomper after daily use according to instructions.

